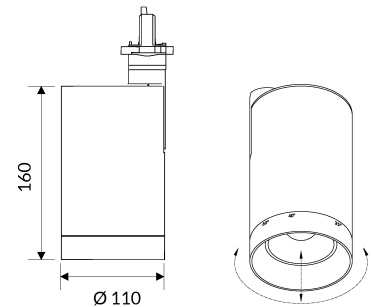
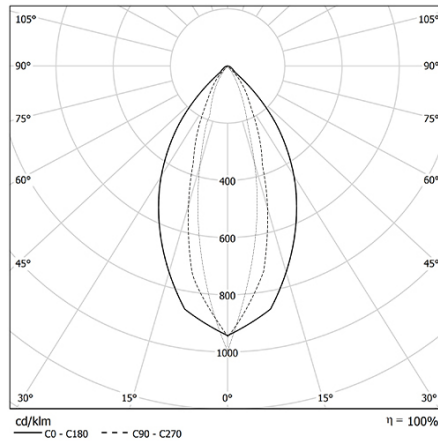


## TERES ZOOM MEDIUM

Modern spotlight built-in driver. Adjustable emission. CRI>90



CODE		FLUX	SIZE	CERTIFICATIONS
14ZM25K4MD	25W 4000K	3031lm	110mm	    

### Optic

Polycarbonate lens:  
adjustable emission from 25 ° to 60 °.

### Specifications

LED CoB Technology;  
Built-in driver;  
CRI>90;  
McAdams 3;  
Life Time: L80/B10 >50.000h;  
5 years complete warranty;  
Eye safety: RG0/RG1 in accordance with EN62471:2009

### Body

Manufactured from pressure die-cast aluminum with epoxy powder coating.

### Legal References

In compliance with the safety standards EN 60 598-1 and UNI EN 12464-1 (lighting for working places).

### Wiring

D: Built-in wiring 230-240V/50-60Hz, DALI dimmable.